



## Medizinisches Zubehör

Caplugs ist zertifizierter Lieferant für mehr als 1.300 Kunden im medizinischen Bereich. Mit über 65 Jahren Erfahrung hat Caplugs die passenden Verbrauchs- und Schutzmaterialien für Ihre medizinischen Apparate und Geräte - als Standardartikel oder individuell auf Ihre Anforderungen zugeschnitten.

### medical

As a qualified supplier to over 1,300 medical customers and more than 65 years of industry experience, Caplugs has the medical device components you're looking for. We are the only true national plastic molder of both protective and functional parts for medical devices and equipment. If one of our standard parts can't meet your requirements, our experienced in-house team of engineers will work with you to design exactly what you need.

*Caplugs ist ein bewährter Lieferant für 25 der Top 30 Produzenten für Medizinprodukte.*

# TRC Series

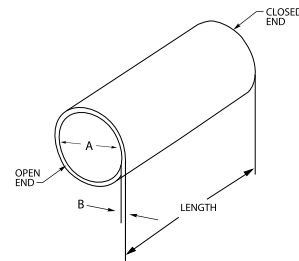
## Standard Wall Closed-End Tubing

TRC Series ClearView™ plastic tubing comes in standard duty and heavy wall. Designed with a clear closed end, TRC is available in a variety of lengths to meet your packaging needs for instruments, orthopedic implants, surgical tools and vials.

- Variety of caps and plugs available

**Material:** PETG **Color:** Natural

Note: Samples are available only in 6" lengths  
Note: "A" dimension is the inside diameter



# Standard Wall Closed-End Tubing TRC Series

## Caps for ClearView® Standard Wall Tubes

Tube Size	VC Style Cap	VHC Style Cap	VHR Style Cap	VSE Style Cap	EC Style Cap	EP Style Cap	RC Style Cap	SC Style Cap
TRC 500	VC 562	VHC 531	None	VSE 531	EC 9	None	None	SC 9/16
TRC 625	VC 750	None	VHR 750	VSE 750	EC 12	None	RC 12	SC 3/4
TRC 750	VC 812	VHC 812	VHR 875	VSE 796	EC 14	None	None	SC 7/8
TRC 875	VC 937	None	None	VSE 937	EC 16	None	RC 16	SC 1
TRC 937	VC 1062	VHC 1062	None	VSE 1062	None	None	None	SC 11/16
TRC 1000	VC 1125	VHC 1062	None	VSE 1125	None	None	None	SC 11/8
TRC 1125	VC 1250	None	None	None	EC 20	None	None	SC 11/4
TRC 1187	VC 1250	None	None	None	None	None	None	SC 15/16
TRC 1250	VC 1375	VHC 1375	None	VSE 1313	None	EP 24	None	None
TRC 1375	VC 1437	VHC 1437	None	None	EC 24	None	None	SC 11/2
TRC 1500	VC 1625	VHC 1625	None	VSE 1625	None	None	RC 27	None
TRC 1625	VC 1687	None	None	None	None	None	None	None
TRC 1750	VC 1875	None	None	None	None	EP 32	RC 30	SC 17/8
TRC 1875	VC 2000	VHC 2000	None	None	None	None	None	None
TRC 2000	VC 2125	None	None	VSE 2125	None	EP 36	None	None
TRC 2250	VC 2375	None	None	None	None	EP 40	None	SC 2 3/8
TRC 2500	VC 2625	None	None	None	None	None	None	SC 2 5/8, 1622
TRC 2625	VC 2750	None	None	None	None	None	None	SC 2 3/4
TRC 2750	VC 2875	None	None	None	None	None	None	None
TRC 3000	VC 3125	None	None	None	None	None	None	None
TRC 3500	VC 3625	None	None	None	None	None	None	SC 3 5/8

Caplugs No.	Dimensions				Packaging Carton Quantity
	A		B		
	In	mm	In	mm	
TRC-500-012	.548	13.92	.012	.30	Call Customer Service
TRC-625-014	.714	18.14	.014	.36	Call Customer Service
TRC-750-015	.808	20.52	.015	.38	Call Customer Service
TRC-875-017	.942	23.93	.017	.43	Call Customer Service
TRC-937-017	1.026	26.06	.017	.43	Call Customer Service
TRC-1000-017	1.097	27.86	.017	.43	Call Customer Service
TRC-1125-018	1.211	30.76	.018	.46	Call Customer Service
TRC-1187-018	1.273	32.59	.018	.46	Call Customer Service
TRC-1250-018	1.363	34.62	.018	.46	Call Customer Service
TRC-1375-018	1.438	36.53	.018	.46	Call Customer Service
TRC-1500-018	1.644	41.76	.018	.46	Call Customer Service
TRC-1625-020	1.710	43.43	.020	.51	Call Customer Service
TRC-1750-020	1.820	46.23	.020	.51	Call Customer Service
TRC-1875-020	1.960	49.78	.020	.51	Call Customer Service
TRC-2000-020	2.070	52.58	.020	.51	Call Customer Service
TRC-2250-020	2.320	58.93	.020	.51	Call Customer Service
TRC-2500-020	2.570	65.28	.020	.51	Call Customer Service
TRC-2625-020	2.710	68.83	.020	.51	Call Customer Service
TRC-2750-020	2.790	70.87	.020	.51	Call Customer Service
TRC-3000-025	3.085	78.36	.025	.64	Call Customer Service
TRC-3500-025	3.570	90.68	.025	.64	Call Customer Service

## Plugs for ClearView® Standard Wall Tubes

Tube Size	STP Style Plug	T Style Plug	EC Style Plug	EP Style Plug	RC Style Plug	TE Style Plug
TRC 500	None	T 5S or T 5X	EC 8	None	None	TE 500
TRC 625	None	T 8X	None	EP 12	None	TE 625
TRC 750	None	T 10	None	None	RC 12	TE 750
TRC 875	None	T 12	None	None	None	TE 875
TRC 937	None	T 13A	None	None	None	TE 937
TRC 1000	None	T 13X	None	EP 18	None	TE 1000
TRC 1125	None	T 14	None	None	None	TE 1125
TRC 1187	None	T 14X	None	None	None	TE 1187-HNG
TRC 1250	None	T 16A	None	None	None	TE 1250
TRC 1375	None	T 17A, T 16S	EC 22	None	None	TE 1375
TRC 1500	None	T 18	None	None	None	TE 1500
TRC 1625	None	T 18X	None	EP 28	None	TE 1625
TRC 1750	None	T 19	None	None	None	TE 1750
TRC 1875	None	T 210	None	EP 32	None	TE 1875
TRC 2000	None	T 220	None	None	None	TE 2000
TRC 2250	None	T 25A	None	None	None	TE 2250
TRC 2500	None	T 250	None	None	None	TE 2500
TRC 2625	None	T 44	None	None	None	TE 2625
TRC 2750	STP 2 3/4	None	None	None	None	TE 2750
TRC 3000	None	None	None	None	None	TE 3000
TRC 3500	None	T 1050	None	None	None	TE 3500



# TRC Series

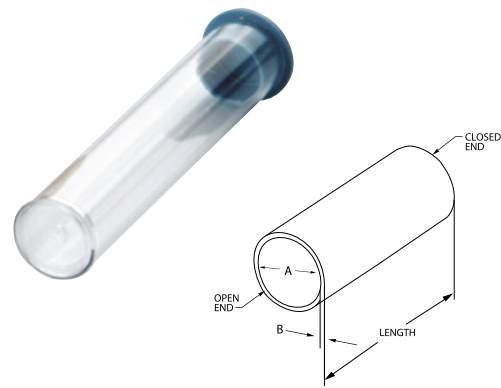
## Heavy Wall Closed-End Tubing

TRC Series ClearView™ plastic tubing can be specified with a heavy wall for durability and extra protection for glass vials, orthopedic implants, surgical tools and instruments. Designed with a clear closed end, this part is available in a variety of lengths to meet your packaging needs.

- Variety of caps and plugs for top available

**Material:** PETG **Color:** Natural

Note: Samples are available only in 6" lengths  
Note: "A" dimension is the inside diameter



Caplugs No.	Dimensions				Packaging Carton Quantity
	A		B		
	In	mm	In	mm	
TRC-500-022	.528	13.41	.022	.56	Call Customer Service
TRC-625-022	.698	17.73	.022	.56	Call Customer Service
TRC-750-022	.794	20.17	.022	.56	Call Customer Service
TRC-875-022	.932	23.67	.022	.56	Call Customer Service
TRC-937-022	1.016	25.81	.022	.56	Call Customer Service
TRC-1000-022	1.087	27.61	.022	.56	Call Customer Service
TRC-1125-022	1.203	30.56	.022	.56	Call Customer Service
TRC-1187-022	1.273	32.33	.025	.64	Call Customer Service
TRC-1250-022	1.355	34.42	.022	.56	Call Customer Service
TRC-1375-022	1.430	36.32	.022	.56	Call Customer Service
TRC-1500-022	1.636	41.55	.022	.56	Call Customer Service
TRC-1625-028	1.694	43.03	.028	.71	Call Customer Service
TRC-1750-028	1.804	45.82	.028	.71	Call Customer Service
TRC-1875-025	1.950	49.53	.025	.64	Call Customer Service
TRC-2000-028	2.054	52.17	.028	.71	Call Customer Service
TRC-2250-028	2.304	58.52	.028	.71	Call Customer Service
TRC-2500-028	2.554	64.87	.028	.71	Call Customer Service
TRC-2625-030	2.690	68.33	.030	.76	Call Customer Service
TRC-2750-028	2.774	70.46	.028	.71	Call Customer Service
TRC-3000-032	3.071	78.00	.032	.81	Call Customer Service
TRC-3500-032	3.556	90.32	.032	.81	Call Customer Service

# Heavy Wall Closed-End Tubing TRC Series

## Caps for ClearView® Heavy Wall Tubes

Tube Size	VC Style Cap	VHC Style Cap	VSE Style Cap	EC Style Cap	EP Style Cap	RC Style Cap	SC Style Cap
TRC 500	VC 562	VHC 531	VSE 531	EC 9	None	None	SC 9/16
TRC 625	VC 750	VHR 750	VSE 750	EC 12	None	RC 12	SC 3/4
TRC 750	VC 812	VHC 812/VHR 875	VSE 796	EC 14	None	None	SC 7/8
TRC 875	VC 937	None	VSE 937	EC 16	None	RC 16	SC 1
TRC 937	VC 1062	VHC 1062	VSE 1062	None	None	None	SC 11/6
TRC 1000	VC 1125	VHC 1062	VSE 1125	None	None	None	SC 11/8
TRC 1125	VC 1250	None	None	EC 20	None	None	SC 11/4
TRC 1187	VC 1250	None	None	None	None	None	SC 15/16-12
TRC 1250	VC 1375	VHC 1375	VSE 1313	None	EP 24	None	None
TRC 1375	VC 1437	VHC 1437	None	EC 24	None	None	SC 11/2
TRC 1500	VC 1625	VHC 1625	VSE 1625	None	None	RC 27	SC 13/4
TRC 1625	VC 1687	None	None	None	None	None	None
TRC 1750	VC 1875	None	None	None	EP 32	RC 30	SC 17/8
TRC 1875	VC 2000	VHC 2000	None	None	None	None	None
TRC 2000	VC 2125	None	VSE 2125	None	EP 36	None	None
TRC 2250	VC 2375	None	None	None	EP 40	None	SC 2 3/8
TRC 2500	VC 2625	None	None	None	None	None	SC 2 5/8, 1622
TRC 2625	VC 2750	None	None	None	None	None	SC 2 3/4
TRC 2750	VC 2875	None	None	None	None	None	None
TRC 3000	VC 3125	None	None	None	None	None	None
TRC 3500	VC 3625	None	None	None	None	None	SC 3 5/8

## Plugs for ClearView® Heavy Wall Tubes

Tube Size	STP Style Plug	T Style Plug	EC Style Plug	EP Style Plug	RC Style Plug	TE Style Plug
TRC 500	None	T 5	None	None	None	TE 500
TRC 625	None	T 8	None	None	None	TE 625
TRC 750	None	T 9X	None	None	None	TE 750
TRC 875	None	T 12	None	None	RC 14-12	TE 875
TRC 937	None	T 12X	EC 16	None	None	TE 937
TRC 1000	None	T 13X	None	EP 18	None	TE 1000
TRC 1125	None	T 14	B 8210	None	None	TE 1125
TRC 1187	None	T 14X	None	None	None	TE 1187-HNG
TRC 1250	None	T 15X	None	EP 22	RC 21	TE 1250
TRC 1375	None	T 16	EC 22	None	None	TE 1375
TRC 1500	None	T 18	None	None	None	TE 1500
TRC 1625	None	T 18X (tight)	EC 26	None	RC 26	TE 1625
TRC 1750	None	T 19 (tight)	EC 28	None	None	TE 1750
TRC 1875	None	T 210	None	EP 32	RC 30	TE 1875
TRC 2000	None	T 21 or T 220	None	None	None	TE 2000
TRC 2250	None	T 25A (tight)	EC 36	None	None	TE 2250
TRC 2500	STP 2 1/2	T 250	EC 40	None	RC 40	TE 2500
TRC 2625	None	T 43A	None	None	None	TE 2625
TRC 2750	STP 2 3/4	T 44	None	None	None	TE 2750
TRC 3000	None	T 53	CEC 48	None	None	TE 3000
TRC 3500	None	T 1050	None	None	None	TE 3500

# TRO Series

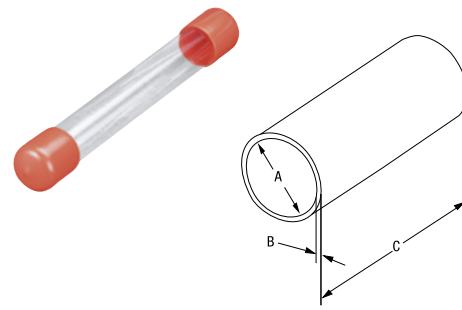
## Standard Wall Open-End Tubing

TRO Series ClearView™ plastic tubing comes in standard duty and heavy wall. Designed to meet a variety of your medical packaging needs including instruments, surgical tools and implants.

• Variety of caps and plugs available

**Material:** PETG **Color:** Natural

Note: Samples are available only in 6" lengths  
Note: "A" dimension is the inside diameter



Caplugs No.	Dimensions						Packaging	
	A		B		C		Carton Quantity	Mini Pak Quantity
	In	mm	In	mm	In	mm		
TRO-187-012-48.000	.210	5.33	.012	.30	48.00	1219.20	900	n/a
TRO-250-012-48.000	.299	7.59	.012	.30	48.00	1219.20	500	n/a
TRO-375-012-48.000	.421	10.69	.012	.30	48.00	1219.20	500	n/a
TRO-448-012-48.000	.460	11.68	.012	.30	48.00	1219.20	250	n/a
TRO-500-012-48.000	.548	13.92	.012	.30	48.00	1219.20	300	n/a
TRO-625-014-48.000	.714	18.14	.014	.36	48.00	1219.20	180	n/a
TRO-750-015-48.000	.808	20.52	.015	.38	48.00	1219.20	200	n/a
TRO-875-017-48.000	.942	23.93	.017	.43	48.00	1219.20	100	n/a
TRO-937-017-48.000	1.026	26.06	.017	.43	48.00	1219.20	324	n/a
TRO-1000-017-48.000	1.097	27.86	.017	.43	48.00	1219.20	100	n/a
TRO-1125-018-48.000	1.211	30.76	.018	.46	48.00	1219.20	120	n/a
TRO-1187-020-48.000	1.283	32.59	.020	.51	48.00	1219.20	120	n/a
TRO-1250-018-48.000	1.363	34.62	.018	.46	48.00	1219.20	90	n/a
TRO-1375-018-48.000	1.438	36.53	.018	.46	48.00	1219.20	90	n/a
TRO-1500-018-48.000	1.644	41.76	.018	.46	48.00	1219.20	90	n/a
TRO-1625-020-48.000	1.710	43.43	.020	.51	48.00	1219.20	80	n/a
TRO-1750-020-48.000	1.820	46.23	.020	.51	48.00	1219.20	70	n/a
TRO-1875-020-48.000	1.960	49.78	.020	.51	48.00	1219.20	70	n/a
TRO-2000-020-48.000	2.070	52.58	.020	.51	48.00	1219.20	60	n/a
TRO-2250-020-48.000	2.320	58.93	.020	.51	48.00	1219.20	60	n/a
TRO-2500-020-48.000	2.570	65.28	.020	.51	48.00	1219.20	50	n/a
TRO-2625-020-48.000	2.710	68.83	.020	.51	48.00	1219.20	50	n/a
TRO-2750-020-48.000	2.790	70.87	.020	.51	48.00	1219.20	21	n/a
TRO-3000-025-48.000	3.085	78.36	.025	.64	48.00	1219.20	36	n/a
TRO-3500-025-48.000	3.570	90.68	.025	.64	48.00	1219.20	15	n/a

# Standard Wall Open-End Tubing TRO Series

## Caps for ClearView® Standard Wall Tubes

Tube Size	VC Style Cap	VHC Style Cap	VHR Style Cap	VSE Style Cap	EC Style Cap	EP Style Cap	RC Style Cap	SC Style Cap
TRO 187	VC 234	None	None	None	None	None	None	None
TRO 250	VC 312	None	None	VSE 312	EVC-312-650	None	None	None
TRO 375	VC 437	None	None	VSE 406	None	None	None	SC 7/16-8 (tight)
TRO 448	VC-485	None	None	None	EC-8	None	RC-8	None
TRO 500	VC 562	VHC 531	None	VSE 531	EC 9	None	None	SC 9/16
TRO 625	VC 750	None	VHR 750	VSE 750	EC 12	None	RC 12	SC 3/4
TRO 750	VC 812	VHC 812	VHR 875	VSE 796	EC 14	None	None	SC 7/8
TRO 875	VC 937	None	None	VSE 937	EC 16	None	RC 16	SC 1
TRO 937	VC 1062	VHC 1062	None	VSE 1062	None	None	None	SC 11/16
TRO 1000	VC 1125	VHC 1062	None	VSE 1125	None	None	None	SC 11/8
TRO 1125	VC 1250	None	None	None	EC 20	None	None	SC 11/4
TRO 1187	VC-1250	None	None	None	None	None	None	SC 15/16
TRO 1250	VC 1375	VHC 1375	None	VSE 1313	None	EP 24	None	None
TRO 1375	VC 1437	VHC 1437	None	None	EC 24	None	None	SC 11/2
TRO 1500	VC 1625	VHC 1625	None	VSE 1625	None	None	RC 27	None
TRO 1625	VC 1687	None	None	None	None	None	None	None
TRO 1750	VC 1875	None	None	None	None	EP 32	RC 30	SC 17/8
TRO 1875	VC 2000	VHC 2000	None	None	None	None	None	None
TRO 2000	VC 2125	None	None	VSE 2125	None	EP 36	None	None
TRO 2250	VC 2375	None	None	None	None	EP 40	None	SC 2 3/8
TRO 2500	VC 2625	None	None	None	None	None	None	SC 2 5/8, 1622
TRO 2625	VC 2750	None	None	None	None	None	None	SC 2 3/4
TRO 2750	VC 2875	None	None	None	None	None	None	None
TRO 3000	VC 3125	None	None	None	None	None	None	STP 3 1/4 as cap
TRO 3500	VC 3625	None	None	None	None	None	None	SC 3 5/8

## Plugs for ClearView® Standard Wall Tubes

Tube Size	STP Style Plug	T Style Plug	EC Style Plug	EP Style Plug	RC Style Plug	TE Style Plug
TRO 187	None	T 0	None	None	None	None
TRO 250	None	T1X	EC 4 (tight)	None	None	None
TRO 375	None	T 3	None	None	None	None
TRO 448	None	T4	None	None	None	None
TRO 500	None	T 5S or T 5X	EC 8	None	None	TE 500
TRO 625	None	T 8X	None	EP 12	None	TE 625
TRO 750	None	T 10	None	None	RC 12	TE 750
TRO 875	None	T 12	None	None	None	TE 875
TRO 937	None	T 13A	None	None	None	TE 937
TRO 1000	None	T 13X	None	EP 18	None	TE 1000
TRO 1125	None	T 14	None	None	None	TE 1125
TRO 1187	None	T 14X	None	None	None	TE 1187-HNG
TRO 1250	None	T 16A	None	None	None	TE 1250
TRO 1375	None	T 17A, T 16S	EC 22	None	None	TE 1375
TRO 1500	B 8798	T 18	None	None	None	TE 1500
TRO 1625	None	T 18X	None	EP 28	None	TE 1625
TRO 1750	B 8313	T 19	None	None	None	TE 1750
TRO 1875	None	T 210	None	EP 32	None	TE 1875
TRO 2000	None	T 220	None	None	None	TE 2000
TRO 2250	None	T 25A	None	None	None	TE 2250
TRO 2500	None	T 250	None	None	None	TE 2500
TRO 2625	None	T 44	None	None	None	TE 2625
TRO 2750	STP 2 3/4	None	None	None	None	TE 2750
TRO 3000	None	None	None	None	None	TE 3000
TRO 3500	None	T 1050	None	None	None	TE 3500

# TRO Series Heavy Wall Open-End Tubing

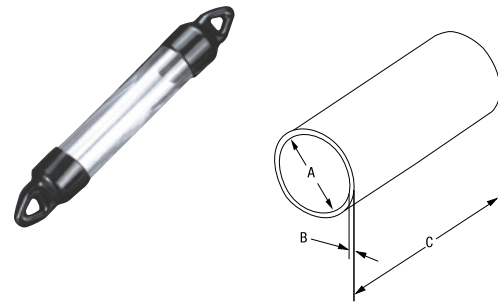


TRO Series ClearView™ plastic tubing comes in standard duty and heavy wall with the heavy wall thickness adding extra protection and durability. Surgical tools and implants, plus other medical devices can be accommodated by the variety of tube sizes and closure options.

• Variety of caps and plugs available

**Material:** PETG **Color:** Natural

Note: Samples are available only in 6" lengths  
Note: "A" dimension is the inside diameter



Caplugs No.	Dimensions						Packaging	
	A		B		C		Carton Quantity	Mini Pak Quantity
	In	mm	In	mm	In	mm		
TRO-187-020-48.000	.194	4.93	.020	.51	48.00	1219.20	600	n/a
TRO-250-022-48.000	.279	7.09	.022	.56	48.00	1219.20	400	n/a
TRO-375-022-48.000	.401	10.19	.022	.56	48.00	1219.20	250	n/a
TRO-448-022-48.000	.440	11.18	.022	.56	48.00	1219.20	250	n/a
TRO-500-022-48.000	.528	13.41	.022	.56	48.00	1219.20	200	n/a
TRO-625-022-48.000	.698	17.73	.022	.56	48.00	1219.20	150	n/a
TRO-750-022-48.000	.794	20.17	.022	.56	48.00	1219.20	140	n/a
TRO-875-022-48.000	.932	23.67	.022	.56	48.00	1219.20	100	n/a
TRO-937-022-48.000	1.016	25.81	.022	.56	48.00	1219.20	324	n/a
TRO-1000-022-48.000	1.087	27.61	.022	.56	48.00	1219.20	100	n/a
TRO-1125-022-48.000	1.203	30.56	.022	.56	48.00	1219.20	100	n/a
TRO-1187-025-48.000	1.273	32.33	.025	.64	48.00	1219.20	120	n/a
TRO-1250-022-48.000	1.355	34.42	.022	.56	48.00	1219.20	90	n/a
TRO-1375-022-48.000	1.430	36.32	.022	.56	48.00	1219.20	80	n/a
TRO-1500-022-48.000	1.636	41.55	.022	.56	48.00	1219.20	60	n/a
TRO-1625-028-48.000	1.694	43.03	.028	.71	48.00	1219.20	50	n/a
TRO-1750-028-48.000	1.804	45.82	.028	.71	48.00	1219.20	50	n/a
TRO-1875-025-48.000	1.950	49.53	.025	.64	48.00	1219.20	50	n/a
TRO-2000-028-48.000	2.054	52.17	.028	.71	48.00	1219.20	40	n/a
TRO-2250-028-48.000	2.304	58.52	.028	.71	48.00	1219.20	30	n/a
TRO-2500-028-48.000	2.554	64.87	.028	.71	48.00	1219.20	30	n/a
TRO-2610-030-48.000	2.610	66.29	.030	.76	48.00	1219.20	28	n/a
TRO-2625-030-48.000	2.690	68.33	.030	.76	48.00	1219.20	28	n/a
TRO-2670-030-48.000	2.670	67.82	.030	.76	48.00	1219.20	28	n/a
TRO-2730-030-48.000	2.730	69.34	.030	.76	48.00	1219.20	28	n/a
TRO-2750-028-48.000	2.774	70.46	.028	.71	48.00	1219.20	21	n/a
TRO-3000-032-48.000	3.071	78.00	.032	.81	48.00	1219.20	36	n/a
TRO-3500-032-48.000	3.556	90.32	.032	.81	48.00	1219.20	15	n/a
TRO-3580-030-48.000	3.580	90.93	.030	.76	48.00	1219.20	15	n/a
TRO-3640-030-48.000	3.640	92.46	.030	.76	48.00	1219.20	15	n/a
TRO-3700-030-48.000	3.700	93.98	.030	.76	48.00	1219.20	15	n/a

# Heavy Wall Open-End Tubing TRO Series

## Caps for ClearView® Heavy Wall Tubes

Tube Size	VC Style Cap	VHC Style Cap	VHR Style Cap	VSE Style Cap	EC Style Cap	EP Style Cap	RC Style Cap	SC Style Cap
TRO 187	VC 234	None	None	None	None	None	None	None
TRO 250	VC 312	None	None	VSE 312	EVC-312-650	None	None	None
TRO 375	VC 437	None	None	VSE 406	EVC-437-750	None	None	SC 7/16-8 (tight)
TRO 448	VC-485	None	None	None	EC-8	None	RC-8	None
TRO 500	VC 562	VHC 531	None	VSE 531	EC 9, EVC-562-900	None	None	SC 9/16
TRO 625	VC 750	None	VHR 750	VSE 750	EC 12	None	RC 12	SC 3/4
TRO 750	VC 812	VHC 812	VHR 875	VSE 796	EC 14	None	None	SC 7/8
TRO 875	VC 937	None	None	VSE 937	EC 16	None	RC 16	SC 1
TRO 937	VC 1062	VHC 1062	None	VSE 1062	None	None	None	SC 11/6
TRO 1000	VC 1125	VHC 1062	None	VSE 1125	None	None	None	SC 11/8
TRO 1125	VC 1250	None	None	None	EC 20	None	None	SC 11/4
TRO 1187	VC 1250	None	None	None	None	None	None	SC 15/16-12
TRO 1250	VC 1375	VHC 1375	None	VSE 1313	None	EP 24	None	None
TRO 1375	VC 1437	VHC 1437	None	None	EC 24	None	None	SC 11/2
TRO 1500	VC 1625	VHC 1625	None	VSE 1625	None	None	RC 27	SC 13/4
TRO 1625	VC 1687	None	None	None	None	None	None	None
TRO 1750	VC 1875	None	None	None	None	EP 32	RC 30	SC 17/8
TRO 1875	VC 2000	VHC 2000	None	None	None	None	None	None
TRO 2000	VC 2125	None	None	VSE 2125	None	EP 36	None	None
TRO 2250	VC 2375	None	None	None	None	EP 40	None	SC 2 3/8
TRO 2500	VC 2625	None	None	None	None	None	None	SC 2 5/8, 1622
TRO 2625	VC 2750	None	None	None	None	None	None	SC 2 3/4
TRO 2750	VC 2875	None	None	None	None	None	None	None
TRO 3000	VC 3125	None	None	None	None	None	None	STP 3 1/4 as cap
TRO 3500	VC 3625	None	None	None	None	None	None	SC 3 5/8

## Plugs for ClearView® Heavy Wall Tubes

Tube Size	STP Style Plug	T Style Plug	EC Style Plug	EP Style Plug	RC Style Plug	TE Style Plug
TRO 187	None	T 00X	K 4	None	None	None
TRO 250	None	T 1	None	None	None	None
TRO 375	None	T 3	None	None	None	None
TRO 448	None	T-3X	PN-2	EZP-152	None	None
TRO 500	None	T 5	None	None	None	TE 500
TRO 625	None	T 8	None	None	None	TE 625
TRO 750	None	T 9X	None	None	None	TE 750
TRO 875	None	T 12	None	None	RC 14-12	TE 875
TRO 937	None	T 12X	None	None	None	TE 937
TRO 1000	None	T 13X	None	EP 18	None	TE 1000
TRO 1125	None	T 14	B 8210	None	None	TE 1125
TRO 1187	None	T 14X	None	None	None	TE 1187-HNG
TRO 1250	None	T 15X	None	EP 22	RC 21	TE 1250
TRO 1375	None	T 16	EC 22	None	None	TE 1375
TRO 1500	B 8798	T 18	None	None	None	TE 1500
TRO 1625	None	T 18X (tight)	EC 26	None	RC 26	TE 1625
TRO 1750	B 8313	T 19 (tight)	EC 28	None	None	TE 1750
TRO 1875	None	T 210	None	EP 32	RC 30	TE 1875
TRO 2000	None	T 21 or T 220	None	None	None	TE 2000
TRO 2250	None	T 25A (tight)	EC 36	None	None	TE 2250
TRO 2500	STP 2 1/2	T 250	EC 40	None	RC 40	TE 2500
TRO 2625	None	T 43A	None	None	None	TE 2625
TRO 2750	STP 2 3/4	T 44	None	None	None	TE 2750
TRO 3000	None	T 53	CEC 48	None	None	TE 3000
TRO 3500	None	T 1050	None	None	None	TE 3500

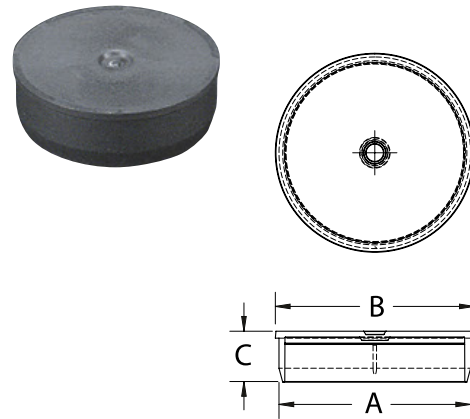
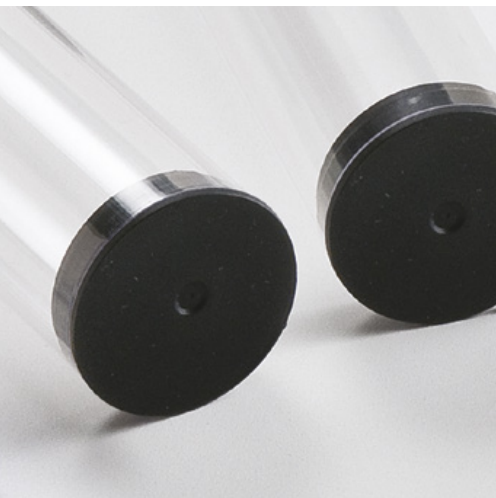


## TE Series

### Tube End Plugs

TE Series end plugs are designed for Caplugs' ClearView™ plastic tubing. This series fits securely into tubing, creating attractive, unique packaging. While this series was developed for our tubing, its versatile design makes it ideal for a variety of other packaging applications.

**Material:** Low-Density Polyethylene **Color:** Black



## Tube End Plugs TE Series

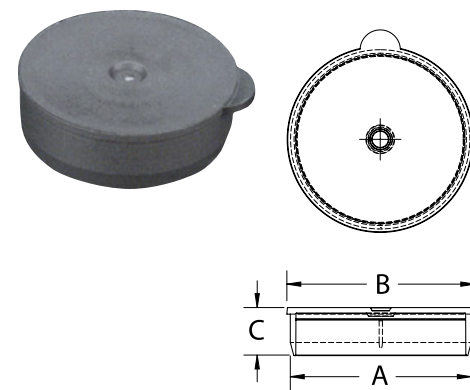
Caplugs No.	Fits Tube Size	Dimensions						Packaging	
		A		B		C		Carton Quantity	Mini Pak Quantity
		In	mm	In	mm	In	mm		
TE-500	TRO/TRC-500	.553	14.04	.600	15.23	.320	8.12	5000	1000
TE-625	TRO/TRC-625	.719	18.26	.770	19.55	.320	8.12	5000	1000
TE-750	TRO/TRC-750	.813	20.64	.860	21.84	.320	8.12	5000	1000
TE-875	TRO/TRC-875	.949	24.10	1.000	25.39	.320	8.12	5000	1000
TE-937	TRO/TRC-937	1.034	26.25	1.060	26.91	.380	9.65	5000	1000
TE-1000	TRO/TRC-1000	1.105	28.06	1.140	28.94	.380	9.65	5000	1000
TE-1125	TRO/TRC-1125	1.221	31.00	1.270	32.25	.380	9.65	2500	500
TE-1187	TRO/TRC-1187	1.293	32.83	1.350	34.28	.380	9.65	2500	500
TE-1250	TRO/TRC-1250	1.373	34.86	1.420	36.05	.380	9.65	2250	450
TE-1375	TRO/TRC-1375	1.448	36.76	1.500	38.09	.380	9.65	2000	400
TE-1500	TRO/TRC-1500	1.657	42.07	1.720	43.67	.440	11.17	1500	300
TE-1625	TRO/TRC-1625	1.724	43.77	1.780	45.19	.440	11.17	1500	300
TE-1750	TRO/TRC-1750	1.834	46.57	1.890	47.99	.440	11.17	1250	250
TE-1875	TRO/TRC-1875	1.975	50.15	2.080	52.81	.440	11.17	1000	200
TE-2000	TRO/TRC-2000	2.085	52.94	2.190	55.60	.440	11.17	1000	200
TE-2250	TRO/TRC-2250	2.329	59.13	2.440	61.95	.500	12.70	750	150
TE-2500	TRO/TRC-2500	2.580	65.51	2.700	68.55	.500	12.70	650	130
TE-2625	TRO/TRC-2625	2.720	69.06	2.840	72.11	.500	12.70	600	120
TE-2750	TRO/TRC-2750	2.800	71.09	2.920	74.14	.500	12.70	600	120
TE-3000	TRO/TRC-3000	3.095	78.58	3.220	81.76	.500	12.70	500	100
TE-3500	TRO/TRC-3500	3.585	91.02	3.700	93.94	.560	14.22	350	70

## TE-TAB Series

### Tube End Plugs with Tabs

TE-TAB Series tube end plugs with tabs have been designed for Caplugs' ClearView™ plastic tubing. This series fits securely into tubing with a thumb tab for easy removal. While it was developed for our tubing, its versatile design makes it ideal for a variety of other packaging applications.

**Material:** Low-Density Polyethylene **Color:** Black



## Tube End Plugs with Tabs TE-TAB Series

Caplugs No.	Fits Tube Size	Dimensions						Packaging	
		A		B		C		Carton Quantity	Mini Pak Quantity
		In	mm	In	mm	In	mm		
TE-500-TAB	TRO/TRC-500	.553	14.04	.600	15.23	.320	8.12	5000	1000
TE-625-TAB	TRO/TRC-625	.719	18.26	.770	19.55	.320	8.12	5000	1000
TE-750-TAB	TRO/TRC-750	.813	20.64	.860	21.84	.320	8.12	5000	1000
TE-875-TAB	TRO/TRC-875	.949	24.10	1.000	25.39	.320	8.12	5000	1000
TE-937-TAB	TRO/TRC-937	1.034	26.25	1.060	26.91	.380	9.65	5000	1000
TE-1000-TAB	TRO/TRC-1000	1.105	28.06	1.140	28.94	.380	9.65	5000	1000
TE-1125-TAB	TRO/TRC-1125	1.221	31.00	1.270	32.25	.380	9.65	2500	500
TE-1187-TAB	TRO/TRC-1187	1.293	32.83	1.350	34.28	.380	9.65	2500	500
TE-1250-TAB	TRO/TRC-1250	1.373	34.86	1.420	36.05	.380	9.65	2250	450
TE-1375-TAB	TRO/TRC-1375	1.448	36.76	1.500	38.09	.380	9.65	2000	400
TE-1500-TAB	TRO/TRC-1500	1.657	42.07	1.720	43.67	.440	11.17	1500	300
TE-1625-TAB	TRO/TRC-1625	1.724	43.77	1.780	45.19	.440	11.17	1500	300
TE-1750-TAB	TRO/TRC-1750	1.834	46.57	1.890	47.99	.440	11.17	1250	250
TE-1875-TAB	TRO/TRC-1875	1.975	50.15	2.080	52.81	.440	11.17	1000	200
TE-2000-TAB	TRO/TRC-2000	2.085	52.94	2.190	55.60	.440	11.17	1000	200
TE-2250-TAB	TRO/TRC-2250	2.329	59.13	2.440	61.95	.500	12.70	750	150
TE-2500-TAB	TRO/TRC-2500	2.580	65.51	2.700	68.55	.500	12.70	650	130
TE-2625-TAB	TRO/TRC-2625	2.720	69.06	2.840	72.11	.500	12.70	600	120
TE-2750-TAB	TRO/TRC-2750	2.800	71.09	2.920	74.14	.500	12.70	600	120
TE-3000-TAB	TRO/TRC-3000	3.095	78.58	3.220	81.76	.500	12.70	500	100
TE-3500-TAB	TRO/TRC-3500	3.585	91.02	3.700	93.94	.560	14.22	350	70

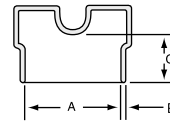
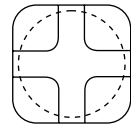
### VSE Series

#### Vinyl Square End Caps

VSE Series vinyl square end caps are used to close the ends of clear tubing. This series is equipped with a square head to prevent rolling during shipment. Its square design also allows containers to stand upright.

**Material:** Vinyl **Color:** Black  
**Optional Colors:** White, Brown, Orange, Red, Green, Gray, Blue, Yellow

**Note:** VSE Series is available in lengths up to 2".



### Vinyl Square End Caps VSE Series

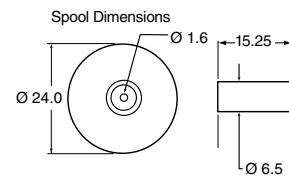
Caplugs No.	Dimensions						Packaging	
	A		B		C		Carton Quantity	Mini Pak Quantity
	In	mm	In	mm	In	mm		
VSE-312-8	.312	7.92	.040	1.02	.500	12.70	5000	1000
VSE-406-8	.406	10.31	.040	1.02	.500	12.70	5000	1000
VSE-531-8	.531	13.48	.040	1.02	.500	12.70	4000	800
VSE-625-8	.625	15.88	.050	1.27	.500	12.70	1500	300
VSE-687-8	.687	17.44	.050	1.27	.500	12.70	2500	500
VSE-750-12	.750	19.05	.050	1.27	.750	19.05	1500	300
VSE-796-12	.796	20.21	.050	1.27	.750	19.05	1500	300
VSE-812-12	.812	20.62	.050	1.27	.750	19.05	1000	200
VSE-937-16	.937	23.80	.050	1.27	1.000	25.40	1000	200
VSE-1000-16	1.000	25.40	.060	1.52	1.000	25.40	1000	200
VSE-1062-16	1.062	26.97	.060	1.52	1.000	25.40	900	180
VSE-1125-16	1.125	28.57	.060	1.52	1.000	25.40	750	150
VSE-1313-16	1.313	33.35	.060	1.52	1.000	25.40	500	100
VSE-1375-16	1.375	34.93	.060	1.52	1.000	25.40	600	120
VSE-1625-24	1.625	41.28	.060	1.52	1.500	38.10	400	80
VSE-2125-24	2.125	53.98	.070	1.78	1.500	38.10	200	40
VSE-2500-24	2.500	63.50	.070	1.78	1.500	38.10	250	50

### SW Series

#### Standard-Duty Sleeve-Web® Netting

Standard Duty Sleeve-Web® Netting [approximately .070" (1.78 mm) thick] provides low-cost protection against physical damage to exterior surfaces of machined, ground, polished, plated, coated or cylindrical medical parts. Its elasticity ensures a snug fit and a nonslip grip on straight-sided parts and those with tapered or varying contours.

**Material:** Low-Density Polyethylene **Color:** See chart



### Standard-Duty Sleeve-Web Netting SW Series

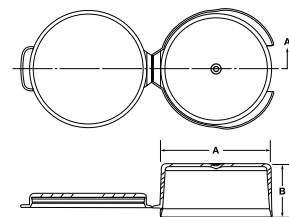
Caplugs No.	Dimensions		Color	Packaging			
	To Fit O.D.	To Fit O.D.		Standard Coil		Mini Coil	
	In	mm		Feet	meters	Feet	meters
SW-03	1/4 to 3/8	6.35 - 9.53	Orange	3500	1066	700	213
SW-04	3/8 to 3/4	9.53 - 19.05	Green	3000	914	600	180
SW-05	1/2 to 1	12.70 - 25.40	Blue	2750	840	550	170
SW-10	1 to 1-1/2	25.40 - 38.10	Red	1700	520	340	100
SW-15	1-1/2 to 2	38.10 - 50.80	Black	900	270	180	55
SW-20	2 to 2-1/2	50.80 - 63.50	White	800	240	160	50
SW-25	2-1/2 to 3	63.50 - 76.20	Yellow	600	180	120	35
SW-30	3 to 4	76.20 - 101.60	Green	450	140	90	30
SW-40	4 to 5	101.60 - 127.00	Orange	350	110	70	20
SW-50	5 to 6-1/4	127.00 - 158.75	Natural	250	80	50	15.2
SW-64	6-1/4 to 7-1/2	158.76 - 190.51	Blue	250	80	50	15.2
SW-75	7-1/2 to 9	190.51 - 228.61	Red	200	60	40	12.2
SW-90	9 to 10	228.61 - 254.01	Yellow	200	60	40	12.2

### CVC Series

#### Hinged Containers

CVC Series hinged containers are equipped with a tethered top to ensure that they cannot be lost. These containers are ideal for packaging instrument tips, orthopedic screws and other small components offering the end user a reusable storage case.

**Material:** Polypropylene **Color:** Natural (clear)



### Hinged Containers CVC Series

Caplugs No.	Dimensions				Packaging	
	A		B		Carton Quantity	Mini Pak Quantity
	In	mm	In	mm		
CVC-1.00-2-HL	.83	21.1	1.43	36.3	1350	270
CVC-1.00-1-1/2-HL	.84	21.2	1.43	36.3	3000	600
CVC-1.25-2-1/2-HL	1.03	26.2	2.41	61.2	1300	260
CVC-1.25-1/2-HL	1.09	27.8	.51	13.0	2500	500
CVC-1.50-1/2-HL	1.47	37.3	.52	13.2	2500	500
CVC-1.50-1-1/2-HL	1.46	37.1	1.43	36.3	1000	200
CVC-1.50-2-1/2-HL	1.45	36.8	2.40	61.0	700	140
CVC-2.00-1/2-TC	1.81	46.0	.49	12.5	500	100
CVC-2.00-1-HL	1.93	49.0	.85	21.6	1000	200
CVC-2.00-3-1/4-HL	1.90	48.3	3.12	79.3	300	60

## CVV Series

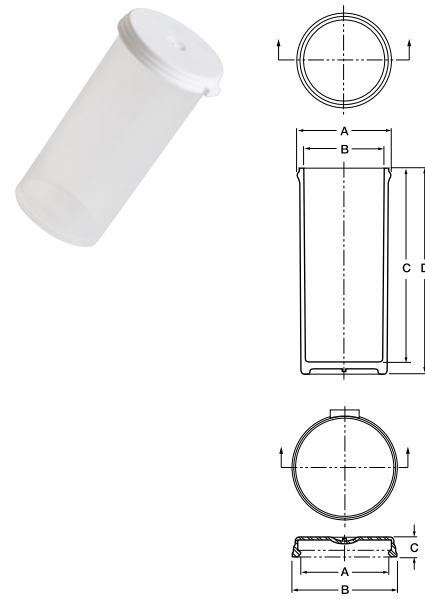
### Vials



CVV Series vials are ideal for a wide range of packaging applications including instrument tips and other small medical components. These vials provide a unique packaging alternative that offer the end-user a reusable container. This series is packaged in sets that include both vials and caps.

- Pad printing available
- Available in a variety of opaque colors

**Material:** Polypropylene **Color:** Natural (clear)



## Vials CVV Series

Caplugs No.	DRAM Size	Fluid Oz.	Dimensions								Packaging	
			A		B		C		D		Carton Quantity	Mini Pak Quantity
			In	mm	In	mm	In	mm	In	mm		
CVV-35ASM	3.5	.44	.975	24.77	.830	21.08	1.400	35.56	1.520	38.61	1500	300
CVV-50ASM	5	.63	.966	24.54	.830	21.08	2.000	50.80	2.120	53.85	1500	300
CVV-70ASM	7	.88	1.116	28.35	.980	24.89	2.050	52.07	2.170	55.12	900	180
CVV-90ASM	9	1.13	1.116	28.35	.980	24.89	2.610	66.29	2.730	69.34	900	180
CVV-120ASM	12	1.50	1.308	33.22	1.160	29.46	2.650	67.31	2.760	70.10	550	110
CVV-150ASM	15	1.88	1.300	33.02	1.160	29.46	3.270	83.06	3.380	85.85	550	110
CVV-200ASM	20	2.50	1.668	42.37	1.520	38.61	2.730	69.34	2.850	72.39	350	70
CVV-250ASM	25	3.13	1.671	42.44	1.520	38.61	3.260	82.80	3.390	86.11	350	70
CVV-400ASM	40	5.00	2.039	51.79	1.890	48.01	3.230	82.04	3.350	85.09	175	35
CVV-500ASM	50	6.25	2.026	51.46	1.890	48.01	4.200	106.68	4.320	109.73	175	35

### Cap Dimensions

Caplugs No.	A		B		C	
	In	mm	In	mm	In	mm
CVV-35ASM & CVV-50ASM	.920	23.37	1.090	27.69	.210	5.33
CVV-70ASM & CVV-90ASM	1.080	27.43	1.240	31.50	.210	5.33
CVV-120ASM & CVV-150ASM	1.250	31.75	1.420	36.07	.210	5.33
CVV-200ASM & CVV-250ASM	1.605	40.77	1.780	45.21	.210	5.33
CVV-400ASM & CVV-500ASM	1.980	50.29	2.150	54.61	.210	5.33

## EVC Series

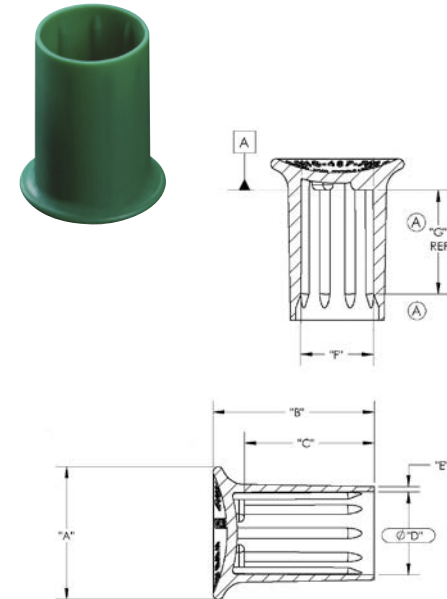
### Ergonomic Vented Caps



EVC Series caps are designed to protect medical tubing and fittings. Allows for natural ventilation preventing pressure build-up during sterilization. Ideal for port protection on medical devices to keep particulates and contaminants out. These resilient caps are made of an FDA grade elastomer.

- Ergonomic design makes it easy to install and remove
- The soft material and internal ribs cushion delicate medical fittings
- Also available in low-density polyethylene for industrial use on metal tubing and fittings

**Material:** Thermoplastic Rubber **Color:** See chart



## Ergonomic Vented Caps EVC Series

Caplugs No.	Color	Dimensions												Packaging	
		A		B		C		D		E		F		Carton Quantity	Mini Pak Quantity
		In	mm	In	mm	In	mm	In	mm	In	mm	In	mm		
EVC-250-700	Red	.57	14.48	.88	22.35	.687	17.45	.279	7.09	.032	.81	.231	5.87	5000	1000
EVC-312-650	Yellow	.62	15.75	.83	21.08	.648	16.46	.341	8.66	.031	.79	.295	7.49	5000	1000
EVC-375-750	Blue	.69	17.53	.93	23.62	.747	18.97	.415	10.54	.03	9.07	.357	9.07	5000	1000
EVC-437-750	Purple	.75	19.05	.93	23.62	.743	18.87	.474	12.04	.031	10.59	.417	10.59	5000	1000
EVC-562-900	Green	.88	22.35	1.08	27.43	.903	22.94	.603	15.32	.03	13.74	.541	13.74	3000	600



# VVC Series

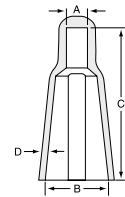
Vent-A-Cap™ Vinyl Caps



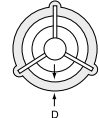
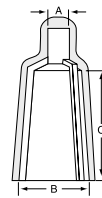
VVC Series vinyl vented caps consist of several styles of caps used to protect the ends of tubing connectors and instrument tips. Vented for air release and easy removal, these products are commonly used in a range of medical applications to keep free of contaminants and particulates. The venting allows for air flow during high pressure processes.

- Series 20, Series 22 and Series 26 are tapered to fit multiple sizes of tubing and instruments
- Series 29 is offered in straight wall

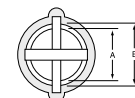
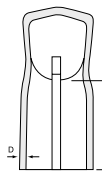
**Material:** Vinyl **Color:** Black  
**Optional Colors:** White, Brown, Orange, Green, Gray, Blue, Yellow, Red



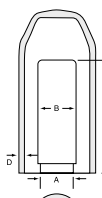
20 Series



22 Series



26 Series



29 Series

Note: VVC Series is available in standard catalog length only.

# Vent-A-Cap™ Vinyl Caps VVC Series

Caplugs No.	Tube Size	Dimensions								Packaging	
		A		B		C		D		Carton Quantity	Mini Pak Quantity
		In	mm	In	mm	In	mm	In	mm		

## 20 Series

VVC-2071	1/4 x 1/16	.200	5.08	.425	10.80	1.600	40.64	.055	1.40	5000	1000
VVC-2072	1/4 x 3/32	.250	6.35	.500	12.70	1.600	40.64	.055	1.40	5000	1000
VVC-2073	3/8 x 1/16	.250	6.35	.525	13.34	1.600	40.64	.055	1.40	5000	1000
VVC-2074	3/8 x 3/32	.250	6.35	.610	15.49	1.600	40.64	.055	1.40	5000	1000
VVC-2075	1/2 x 1/16	.250	6.35	.650	16.51	1.600	40.64	.055	1.40	5000	1000
VVC-2076	1/2 x 3/32	.275	6.99	.735	18.67	1.600	40.64	.055	1.40	4000	800

## 22 Series

VVC-2220	1/8 x 1/32	.080	2.03	.190	4.83	.430	10.92	.045	1.14	10000	1000
VVC-2221	1/8 x 1/16	.156	3.96	.310	7.87	1.075	27.31	.055	1.40	5000	1000
VVC-2222	3/16 x 1/16	.156	3.96	.340	8.64	1.075	27.31	.055	1.40	5000	1000
VVC-2223	1/4 x 1/16	.200	5.08	.400	10.16	1.075	27.31	.055	1.40	5000	1000
VVC-2224	1/4 x 1/32	.240	6.10	.450	11.43	1.075	27.31	.055	1.40	5000	1000
VVC-2225	3/8 x 1/16	.250	6.35	.510	12.95	1.075	27.31	.055	1.40	5000	1000
VVC-2226	3/8 x 3/32	.250	6.35	.590	14.99	1.175	29.85	.055	1.40	4000	800
VVC-2227	1/2 x 1/16	.312	7.92	.650	16.51	1.175	29.85	.060	1.52	4000	800
VVC-2228	1/2 x 3/32	.312	7.92	.700	17.78	1.175	29.85	.060	1.52	3000	600
VVC-2229	1/2 x 1/8	.312	7.92	.750	19.05	1.175	29.85	.060	1.52	3000	600
VVC-2230	5/8 x 3/32	.330	8.38	.880	23.35	1.175	29.85	.065	1.65	3000	600

## 26 Series

VVC-2600	1/8 x 1/32	.160	4.06	.210	5.33	.400	10.16	.045	1.14	10000	1000
VVC-2601	1/8 x 1/16	.190	4.83	.275	6.99	.650	16.25	.055	1.40	10000	1000
VVC-2602	3/16 x 1/16	.240	6.10	.340	8.64	.650	16.25	.055	1.40	8000	1000
VVC-2603	1/4 x 1/16	.325	8.26	.400	10.16	.750	19.05	.055	1.40	5000	1000
VVC-2604	1/4 x 3/32	.375	9.53	.470	11.94	.750	19.05	.055	1.40	5000	1000
VVC-2605	3/8 x 1/16	.440	11.18	.525	13.34	.750	19.05	.055	1.40	5000	1000
VVC-2606	3/8 x 3/32	.475	12.07	.585	14.86	.750	19.05	.055	1.40	5000	1000
VVC-2607	1/2 x 1/16	.550	13.97	.650	16.51	.800	20.32	.060	1.52	3000	600
VVC-2608	1/2 x 3/32	.630	16.00	.710	18.03	.800	20.32	.060	1.52	3000	600
VVC-2609	1/2 x 1/8	.650	16.51	.775	19.69	.800	20.32	.060	1.52	3000	600
VVC-2610	5/8 x 3/32	.775	19.69	.840	21.34	.800	20.32	.060	1.52	3000	600

## 29 Series

VVC-2920	1/8 x 1/16	.230	5.84	.281	7.14	.700	17.78	.045	1.14	5000	1000
VVC-2922	3/16 x 1/16	.292	7.45	.343	8.71	.650	16.51	.050	1.27	5000	1000
VVC-2924	1/4 x 1/16	.355	9.02	.415	10.54	.750	19.05	.055	1.40	5000	1000
VVC-2926	1/4 x 3/32	.417	10.59	.477	12.12	.750	19.05	.055	1.40	5000	1000
VVC-2928	3/8 x 1/16	.480	12.19	.540	13.72	.850	21.59	.060	1.52	5000	1000
VVC-2930	3/8 x 3/32	.542	13.77	.602	15.29	.900	22.86	.060	1.52	5000	1000
VVC-2932	1/2 x 3/32	.667	16.94	.737	18.72	.875	22.23	.060	1.52	3000	600
VVC-2934	5/8 x 3/32	.792	20.12	.875	22.23	.875	22.23	.065	1.65	3000	600

tethered caps

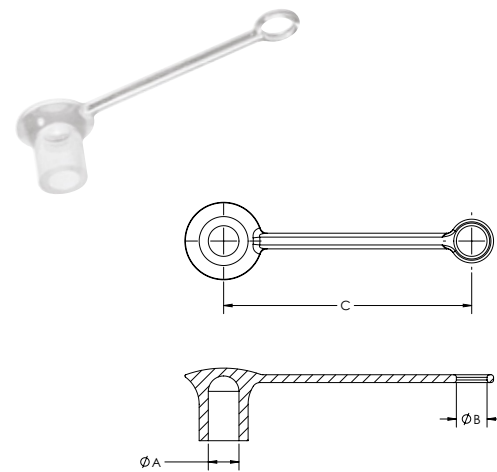
### MCN-TCS Series

#### Silicone Tethered Caps

MCN-TCS Series caps protect tubes and ports from contamination, fitting popular 1/4" and 3/8" sizes. A tether keeps the cap in place when not in use. Caps provide easy removal and reapplication when draining fluid.

- USP Class VI silicone
- Meets a variety of applications
- Additional colors available

**Material:** Silicone **Color:** Natural



### Silicone Tethered Caps MCN-TCS Series

Caplugs No.	Description	Color	Dimensions						Standard Packs per Carton
			A		B		C		
			In	mm	In	mm	In	mm	
<b>MCN-TCS-100</b>	Silicone Tethered Cap 1/4"	Natural	.235	5.97	.24	6.10	1.90	48.26	5000
<b>MCN-TCS-200</b>	Silicone Tethered Cap 3/8"	Natural	.360	9.14	.36	9.14	1.90	48.26	5000

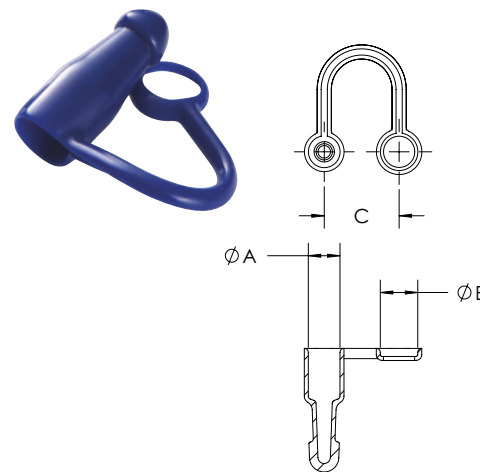
### MCN-TCV Series

#### Vinyl Tethered Caps

MCN-TCV Series caps protect tubes and ports from contamination, fitting popular 1/4" and 3/8" sizes. A tether keeps the cap in place when not in use. These vinyl caps provide easy removal and reapplication when draining fluid with a bulb design.

- Meets a variety of applications
- Additional colors available

**Material:** Vinyl **Color:** Blue



### Vinyl Tethered Caps MCN-TCV Series

Caplugs No.	Description	Color	Dimensions						Standard Packs per Carton
			A		B		C		
			In	mm	In	mm	In	mm	
<b>MCN-TCV-100</b>	Vinyl Tethered Cap 1/4"	Blue	.250	6.35	.313	7.95	.75	19.05	5000
<b>MCN-TCV-200</b>	Vinyl Tethered Cap 3/8"	Blue	.375	9.53	.438	11.13	.75	19.05	5000

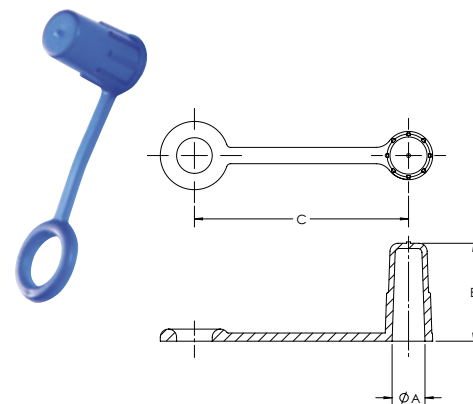
### MCN-TCP Series

#### Plastic Tethered Caps

MCN-TCP Series caps protect tubes and ports from contamination, fitting popular 1/4" and 3/8" sizes. A tether keeps the cap in place when not in use. LDPE material with ribs provides easy grasping and removal when draining fluid.

- Meets a variety of applications
- Additional colors available

**Material:** Low-Density Polyethylene **Color:** Blue



### Plastic Tethered Caps MCN-TCP Series

Caplugs No.	Description	Color	Dimensions						Standard Packs per Carton
			A		B		C		
			In	mm	In	mm	In	mm	
<b>MCN-TCP-100</b>	LDPE Tethered Cap 1/4"	Blue	.252	6.40	.75	19.05	1.64	41.66	5000
<b>MCN-TCP-200</b>	LDPE Tethered Cap 3/8"	Blue	.377	9.58	.75	19.05	1.64	41.66	5000



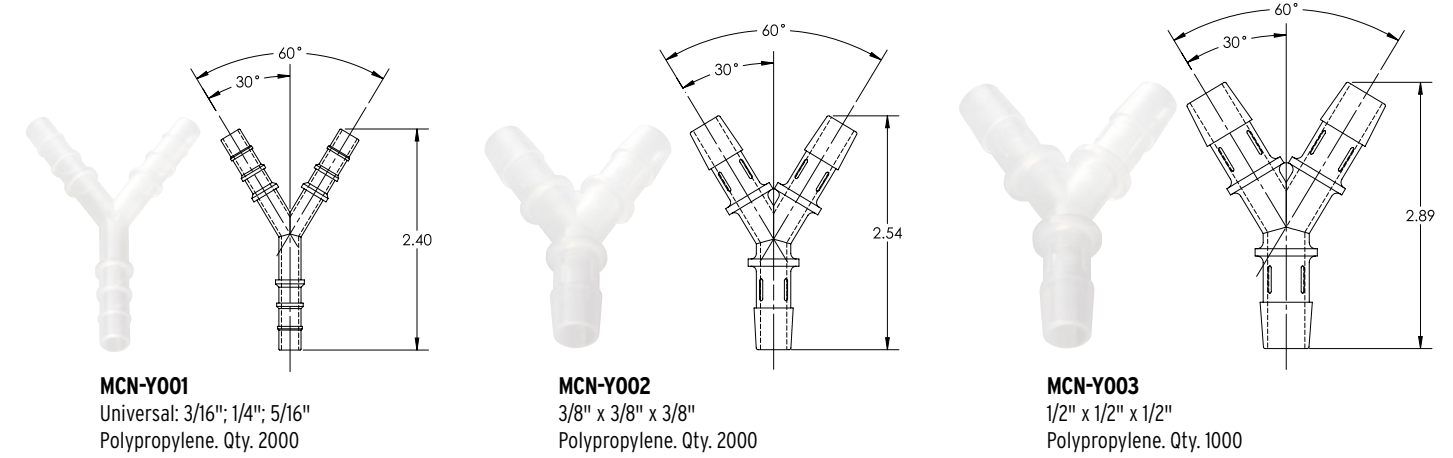
# Y-Connectors



Y-connectors are designed to meet all connector needs with a variety of applications, including wound drainage and perfusion. Various sizes and materials are available from flexible PVC to more rigid Polycarbonate. Popular tubing IDs are accommodated from 3/16" to 1/2". In addition to the catalog offering, our team of Design Engineers can design a part to meet your specific needs.

**Material:** Various **Color:** Natural

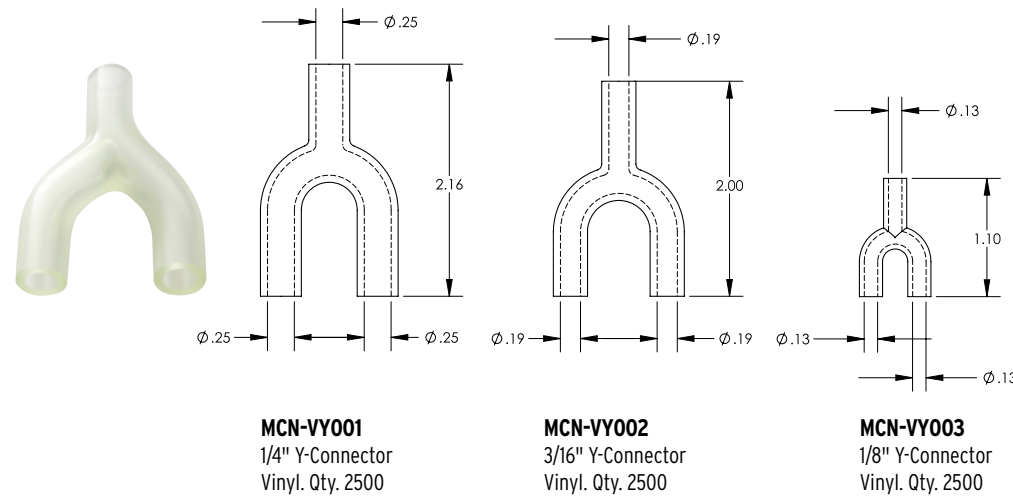
# Y-Connectors



**MCN-Y001**  
Universal: 3/16"; 1/4"; 5/16"  
Polypropylene. Qty. 2000

**MCN-Y002**  
3/8" x 3/8" x 3/8"  
Polypropylene. Qty. 2000

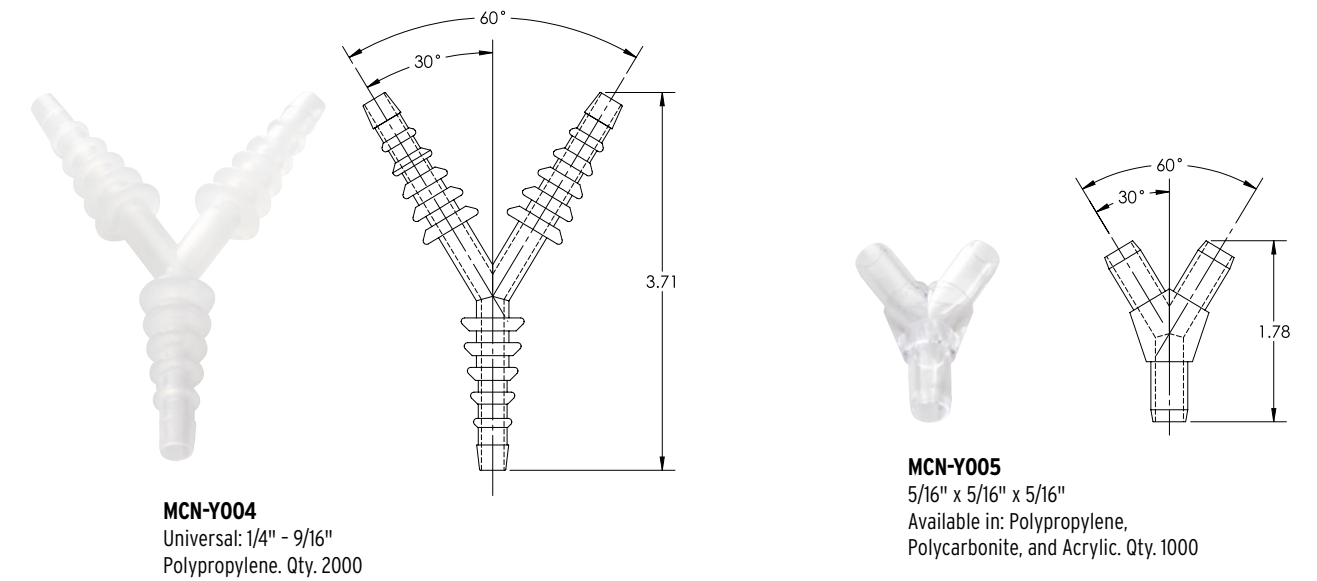
**MCN-Y003**  
1/2" x 1/2" x 1/2"  
Polypropylene. Qty. 1000



**MCN-VY001**  
1/4" Y-Connector  
Vinyl. Qty. 2500

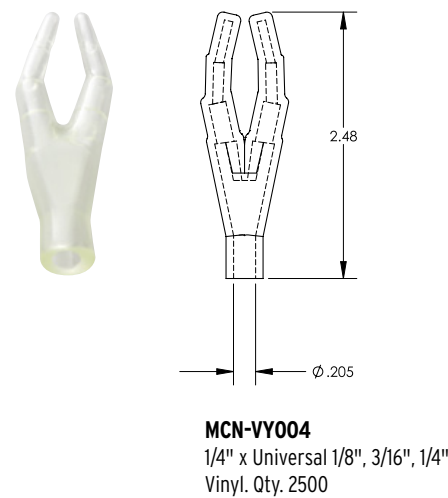
**MCN-VY002**  
3/16" Y-Connector  
Vinyl. Qty. 2500

**MCN-VY003**  
1/8" Y-Connector  
Vinyl. Qty. 2500

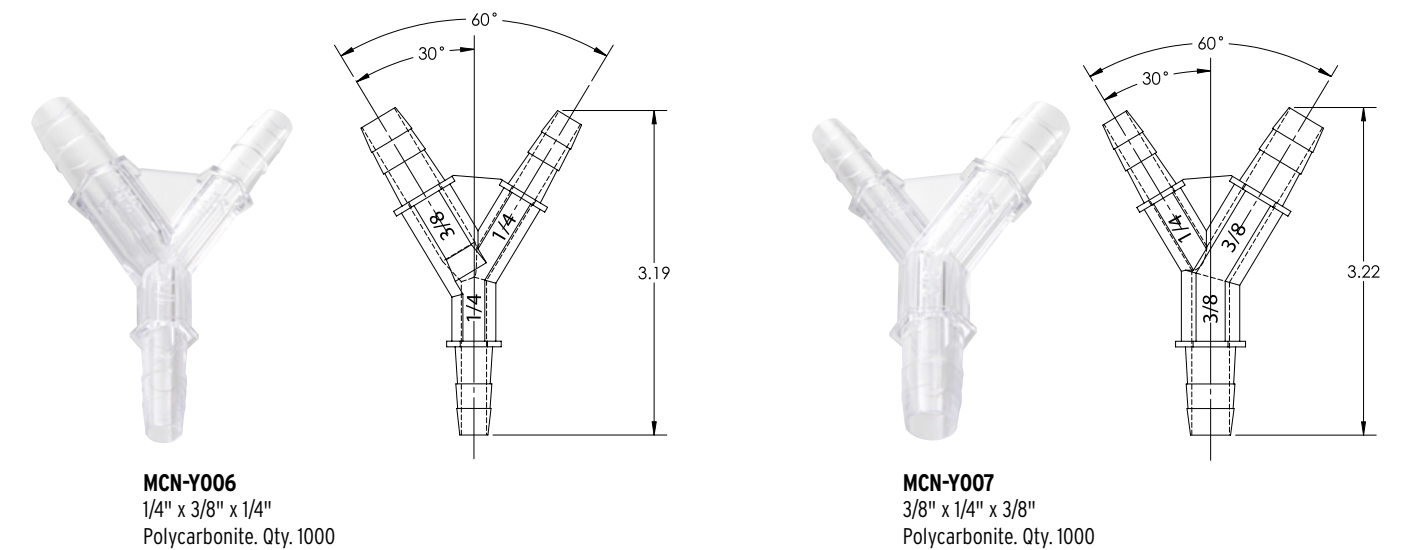


**MCN-Y004**  
Universal: 1/4" - 9/16"  
Polypropylene. Qty. 2000

**MCN-Y005**  
5/16" x 5/16" x 5/16"  
Available in: Polypropylene,  
Polycarbonate, and Acrylic. Qty. 1000



**MCN-VY004**  
1/4" x Universal 1/8", 3/16", 1/4"  
Vinyl. Qty. 2500



**MCN-Y006**  
1/4" x 3/8" x 1/4"  
Polycarbonate. Qty. 1000

**MCN-Y007**  
3/8" x 1/4" x 3/8"  
Polycarbonate. Qty. 1000

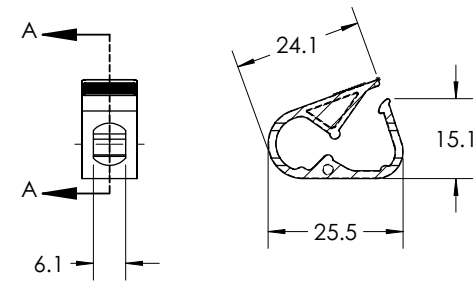
## Pinch Clamps



Pinch clamps are available in a variety of sizes to meet IV access, dialysis and perfusion needs. Manufactured to be heat resistant and withstand a variety of sterilization processes.

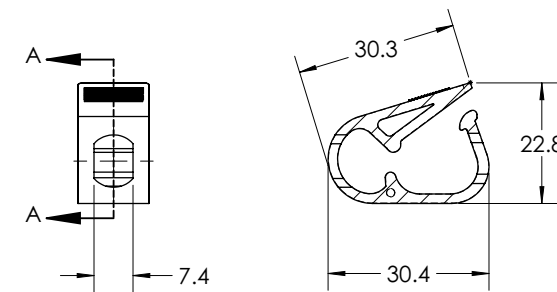
- Meets a variety of IV applications
- Additional colors available

**Material:** Polypropylene **Color:** See chart

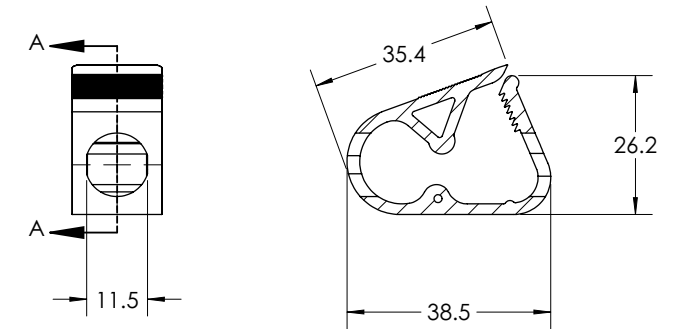


MCN-PC001

Caplugs No.	Description	To Fit OD Tubing Up to	Material	Color	Carton Quantity
MCN-PC001	Small Pinch Clamp .16"	1/8"	Polypropylene	White	5000
MCN-PC002	Medium Pinch Clamp .248"	1/4"	Polypropylene	White	5000
MCN-PC003	Large Pinch Clamp .268"	1/4"	Polypropylene	Blue	2000



MCN-PC002



MCN-PC003

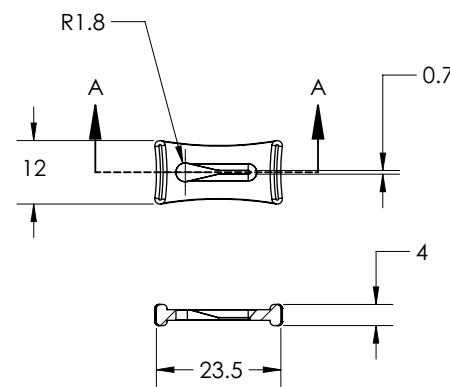
## Slide Clamps



Slide clamps are available in three sizes to meet the industry's most popular medical tubing needs for a wide variety of applications. The closed design ensures the clamps stay with the tubing. Manufactured to be heat resistant and withstand a variety of sterilization processes.

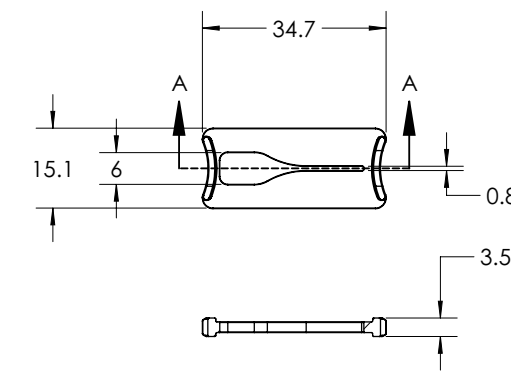
- Meets a variety of IV applications
- Additional colors available

**Material:** Various **Color:** See chart

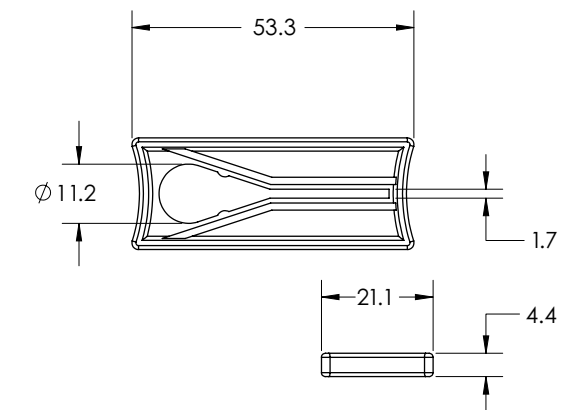


MCN-SC001

Caplugs No.	Description	To Fit OD Tubing Up to	Material	Color	Carton Quantity
MCN-SC001	Small Slide Clamp .078" - .10"	1/16"	High-Density Polyethylene	White	5000
MCN-SC002	Small Slide Clamp .012"	1/8"	Polypropylene	Blue	10000
MCN-SC004	Large Slide Clamp .025"	1/4"	High-Density Polyethylene	White	10000



MCN-SC002



MCN-SC004

## Slide Clamps

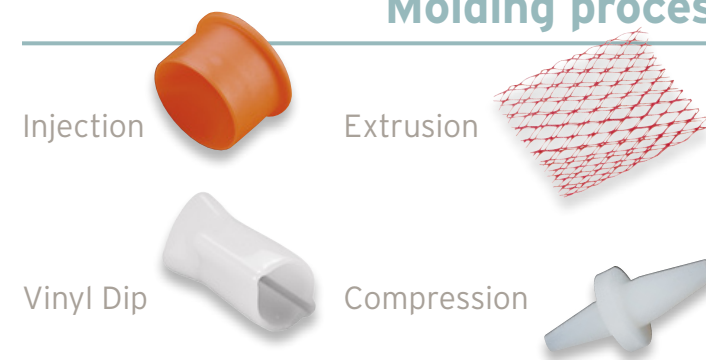




## Your Medical Molding Partner

As a **qualified supplier** to over 1,300 medical customers, and with our **vast experience** in developing **innovative, cost-efficient solutions** across many industries, Caplugs is the ideal choice for your medical device and equipment protection and molded component needs.

### Molding processes

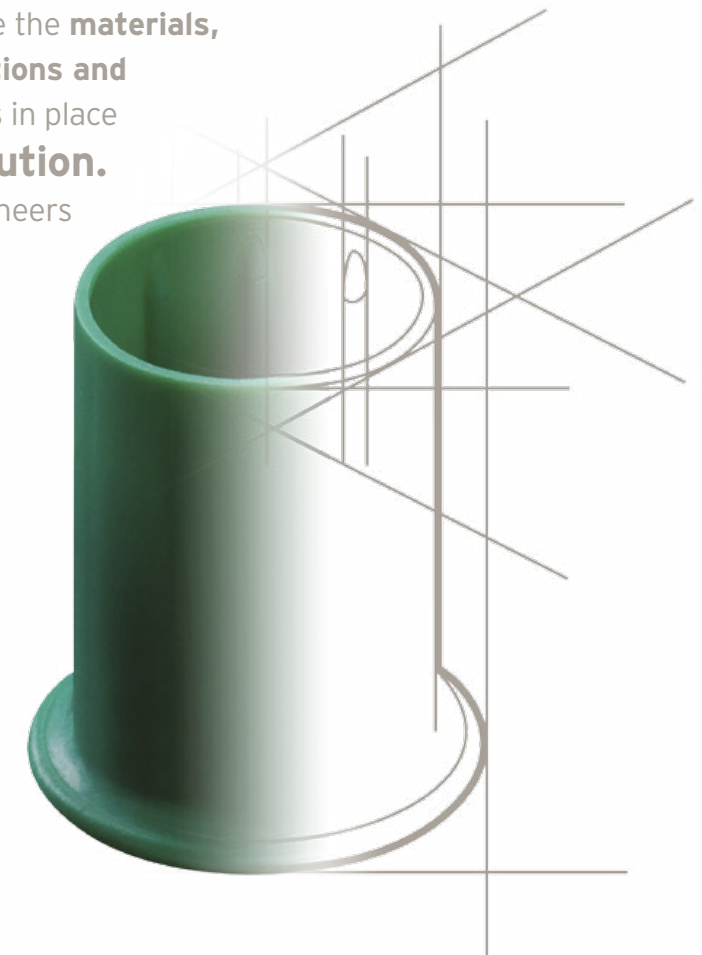


## Comprehensive 7-step process

- 1 Concept and Design** - Dedicated technical sales specialists and engineers assigned to each project will design the best solution with 3D modeling, compatible with all CAD platforms.
- 2 Rapid Prototyping** - Prototypes built in-house to confirm fit requirements before production approval.
- 3 In-House Tool Fabrication** - Molds made in-house for greater process control, shorter lead times and easier modifications.
- 4 Full Production Capability** - From small volume runs to millions of parts.
- 5 Medical Component Approval Process** - Formal verification that part design and production processes comply with all your specifications, including chemical and physical analysis and full lot traceability.
- 6 Packaging** - We can meet your special requirements with unique processes that include polybagging and corrugate-free.
- 7 Inventory Management** - We can inventory parts for JIT, Kanban and other warehousing requirements.

## Custom Engineered Medical Solutions

Caplugs offers a **broad range of capabilities** to meet your exact specifications. No matter what your need may be, we have the **materials, certifications, classifications and quality control processes** in place to provide the **ideal solution**. Our team of in-house engineers will take you from initial design and prototyping to tooling and final production.



## Materials

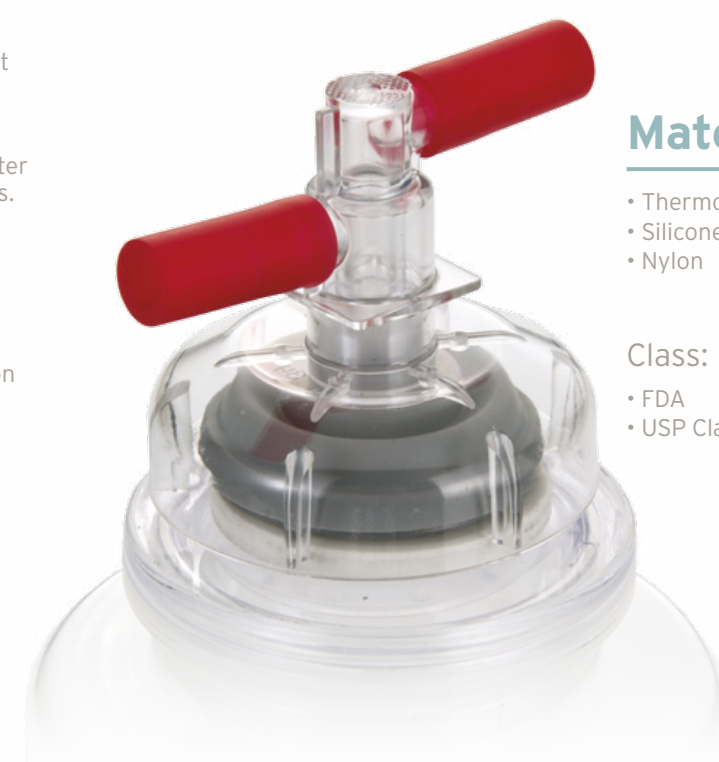
- Thermoplastic
- Polypropylene
- PETG
- PVC
- Silicone
- Polycarbonate
- Polyethylene
- Polystyrene
- Nylon
- Plastisol
- Acrylic
- Low- /High-Density Polyethylene

### Class:

- FDA
- USP Class VI

### Certifications:

- Non-phthalate
- Latex free
- Gamma and EtO stable
- ROHS compliant
- Anti-microbial
- DEHP-free



### Clean Room

We can produce your medical parts in our ISO certified clean room.

- Parts molded, inspected and packaged in room
- Inspection table with ionization blowers
- Regularly monitored particle counts with hand-held unit
- Ensures traceability and reproducibility
- ISO 13485 certified quality management system